

## Hotel™ Shower Head

### MODELS:

- S-2005-H: 2.5 GPM (9.5 L/min) flow rate
- S-2005-H-E2: 2.0 GPM (7.6 L/min) flow rate
- S-2005-H-E175: 1.75 GPM (6.6 L/min) flow rate

### FEATURES:

- 5 plungers with 50 sprays, 8 massage jets, 3 spray patterns
- Patented Anystream® plungers resist scale build-up
- Spray adjusting handle
- Plastic body construction, with brass ball nut
- 1/2" -14 NPTF female inlet
- Corrosion resistant finishes

### STOCK FINISHES:



PC MB

### SPECIALTY FINISHES:



BN PB

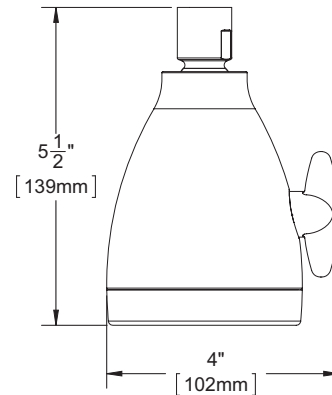
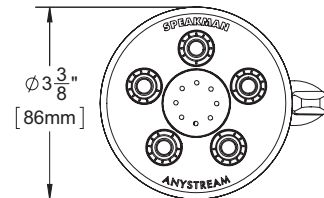
### STANDARDS:

- ASME A112.18.1/CSA B125.1 certified
- CEC (CA Energy Commission) certified, 1.75 GPM only
- WaterSense certified, 2.0 & 1.75 GPM only

### WARRANTY:

Visit [www.speakman.com](http://www.speakman.com) for full product warranty information

- Limited Lifetime Warranty (consumer)
- 1 Year Limited Warranty (commercial)



All dimensions are in inches (millimeters) unless otherwise specified and are subject to change without notice.

Architect/Engineer Approval Space:

P: 800-537-2107  
 F: 800-977-2747  
 W: WWW.SPEAKMAN.COM  
 R: 03-AUGUST 2021